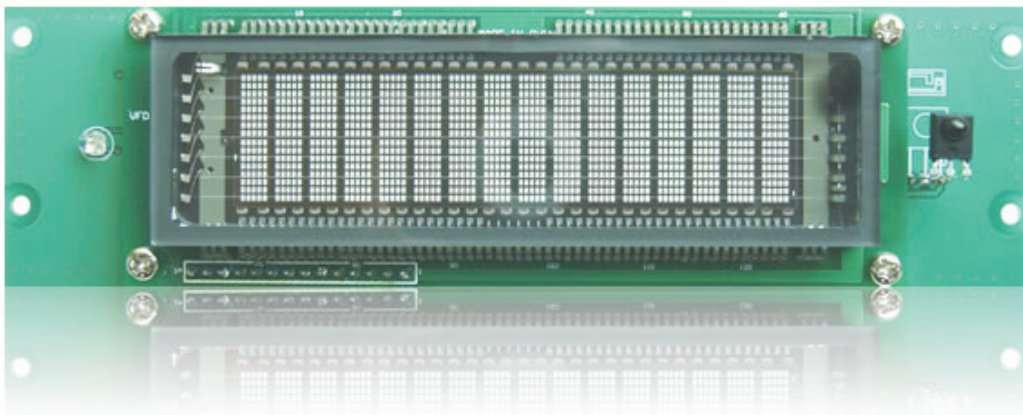
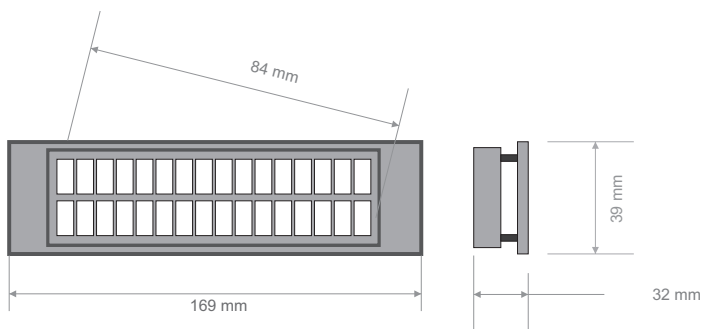


VF210



description

The OrigenAE VF210 solution is over 150% bigger than previous VFD models meaning a vast improvement on readability, so no more eye straining from across the room. Based on the flexible IR Trans solution the VFD will work with both Windows and Linux operating systems. It is powered from the ATX power cable and connected via USB, so no annoying external cables. Another key feature is the ability to switch your HTPC on from a totally off state (not just sleep mode, but OFF). The VF210 will also support the additional Philips based IR221 module that gives full Microsoft Receiver functionality including IR Blasting.



features

- full MCE compatibility
- optional IR221 module including IR blasting
- linux drivers available
- fits S16V, S14V, S10V
- supplied with philips mce remote
- learns any remote
- scrolling display
- displays time in standby
- switch PC on from off state

origenae.com

specification

dimensions	- 169mm X 39mm X 32mm
active display size	- 19.2mm x 82.5mm
software support	- MCE (XP & Vista), Linux
power requirements	- 5V
power connectors	- 24 to 24 pin ATX thru-cable
display type	- 2 x 16 characters
interface type	- usb header
software supplied	- irtrans
ir range	- 10m (max)
remote supplied	- philips mce remote (Vista RC197)
VFD colour	- blue

